

Архангельск (8182)63-90-72
Астана (7172)727-132
Астрахань (8512)99-46-04
Барнаул (3852)73-04-60
Белгород (4722)40-23-64
Брянск (4832)59-03-52
Владивосток (423)249-28-31
Волгоград (844)278-03-48
Вологда (8172)26-41-59
Воронеж (473)204-51-73
Екатеринбург (343)384-55-89
Иваново (4932)77-34-06

Ижевск (3412)26-03-58
Иркутск (395)279-98-46
Казань (843)206-01-48
Калининград (4012)72-03-81
Калуга (4842)92-23-67
Кемерово (3842)65-04-62
Киров (8332)68-02-04
Краснодар (861)203-40-90
Красноярск (391)204-63-61
Курск (4712)77-13-04
Липецк (4742)52-20-81
Киргизия (996)312-96-26-47

Магнитогорск (3519)55-03-13
Москва (495)268-04-70
Мурманск (8152)59-64-93
Набережные Челны (8552)20-53-41
Нижний Новгород (831)429-08-12
Новокузнецк (3843)20-46-81
Новосибирск (383)227-86-73
Омск (3812)21-46-40
Орел (4862)44-53-42
Оренбург (3532)37-68-04
Пенза (8412)22-31-16
Россия (495)268-04-70

Пермь (342)205-81-47
Ростов-на-Дону (863)308-18-15
Рязань (4912)46-61-64
Самара (846)206-03-16
Санкт-Петербург (812)309-46-40
Саратов (845)249-38-78
Севастополь (8692)22-31-93
Симферополь (3652)67-13-56
Смоленск (4812)29-41-54
Сочи (862)225-72-31
Ставрополь (8652)20-65-13
Казахстан (772)734-952-31

Сургут (3462)77-98-35
Тверь (4822)63-31-35
Томск (3822)98-41-53
Тула (4872)74-02-29
Тюмень (3452)66-21-18
Ульяновск (8422)24-23-59
Уфа (347)229-48-12
Хабаровск (4212)92-98-04
Челябинск (351)202-03-61
Череповец (8202)49-02-64
Ярославль (4852)69-52-93

www.gneuss.nt-rt.ru || gsk@nt-rt.ru



Технические характеристики на измерительные преобразователи давления со встроенным усилителем и датчиком температуры серии DTAI



Contents:

1. Introduction
2. Operating range and field of application
3. Danger areas
4. Waste disposal
5. Transport and storage
6. Cleaning of the sensors
7. Installing / Uninstalling
8. Connecting and commissioning of the DTAI
9. Technical Data
10. Dimensions

1. Introduction

Melt pressure transducers are precise measuring probes which obtain their measuring accuracy and long life span only if they are properly handled. These operating instructions should be studied carefully before installing the sensor, thus ensuring a trouble-free operation. Nevertheless, should you encounter any difficulties, please feel free to contact our service technicians, who will be pleased to be of assistance.

2. Operating range and field of application:

Gneuss melt pressure transducers have exclusively been designed for the pressure monitoring of liquid, doughy or pasty materials at high temperatures. These must have a homogeneous constitution. The application area has to be selected in such a manner, that a max. Differential pressure of 2% of the measuring range – based on the diaphragm surface- is not exceeded. Any use beyond the above mentioned application area does not conform to regulations

3. Danger areas:

In the complete application area of the melt pressure transducer, there is a risk of combustion. If the pressure transducer is not installed or uninstalled correctly during the applying of pressure there is a risk of hot media emerging.

4. Waste disposal:

Pressure transducers filled with mercury, have to be disposed of as hazardous waste.

A free of charge and ecologically-friendly disposal can be carried out by Gneuss Kunststofftechnik GmbH

5. Transport and storage:

Gneuss pressure transducers are generally dispatched in separate packages. In case of mechanical exposure, the sensing diaphragm is protected by an aluminium cap. This cap should be screwed on at all times of storage.

6. Cleaning of the sensors

In order to clean the diaphragm, the sealing surface and the process thread the sensor must have the same temperature as the plastic melting point. The diaphragm and the sealing surface can be wiped down with a soft cloth, the thread can be cleaned with a steel brush.

(Do not come into contact with the diaphragm surface)

7. Installing / Uninstalling

Installing

On installation of the pressure transducer it is imperative to note, that the sensor bore corresponds to the dimensions mentioned below. The fitting accuracy can be checked by means of a test bolt

Prior to mounting the sensor, the thread should be covered with a heat resistant paste. Should the machinery with the sensor drilling still be at production temperature, a certain preheating period for the sensor should be taken into consideration, in order to avoid a seizing of the sensor due to thermal expansion.

On mounting the transducer, it is important to note that the sensor is not screwed in at an angle and that the sensor does not fall into the bore. It is of vital importance that the force for installing the sensor must only be applied at the shaft (hexagon). Do not apply any force to the sensor head!

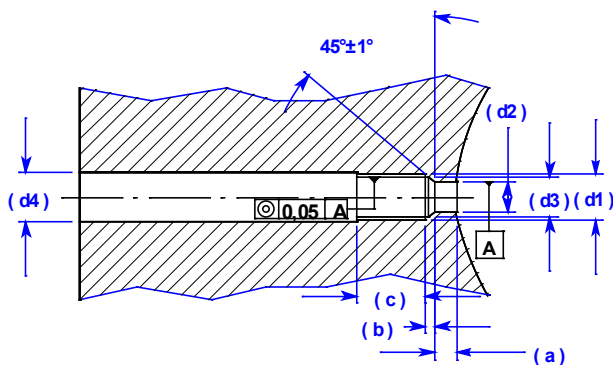
Starting torque for 1/2-20 UNF = max. 30 Nm

Starting torque for M 18 x 1,5 = max. 50 Nm

Uninstalling

The uninstalling of the pressure transducer has to be done in a heated up condition (plastic melting point)

On removal of the sensor, please take note that the diaphragm is not brought into contact. It is of vital importance that the force for uninstalling the sensor must only be applied at the shaft (hexagon). Do not apply any force to the sensor head!



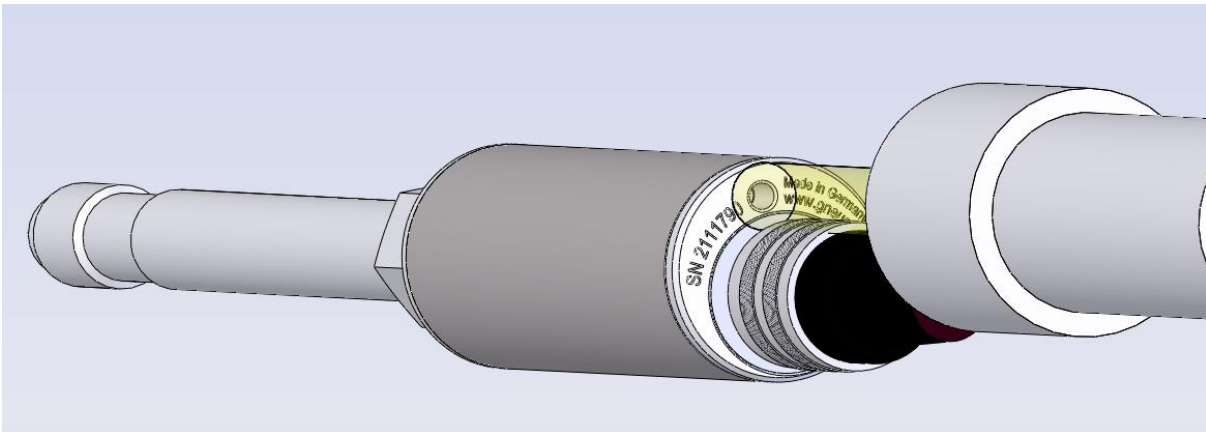
d1	M18x1,5	1/2"20UNF 2A
d2	Ø 10,1 ^{+0,05}	Ø 7,9 ^{+0,05}
d3	Ø 16,1 ^{+0,1}	Ø 10,7 ^{+0,1}
d4	Ø 20 ^{+0,2}	Ø 13 ^{+0,2}
a	6,1 ^{-0,1}	5,7 ^{-0,1}
b	4 ^{-0,2}	3,2 ^{-0,2}
c	25	19

8. Connections and commissioning

After the pressure transducer has been installed into the line, as described in section 7, the electrical connections have to be applied according to the connections indicated on page 9. Gneuss pressure transducers are equipped with high quality and robust plug connections. The connecting wire should be soldered with great care as transmission errors of signals can otherwise occur. We recommend using Gneuss prefabricated connecting wires which are available ex- stock.

Pressure sensors of the type DAI are fitted with an integrated pressure amplifier, which depending on version can offer a standard signal in accordance to the pressure range. On commissioning, the sensor must be calibrated to the corresponding evaluation unit. **The calibration process must be carried out when the line is heated and at zero pressure.** Please proceed as described below.

The **AUTO ZERO** function is initiated by a short connection of the corresponding wires (see wiring configuration). For the DTAI version with optical **AUTO ZERO** initiation (DAI-...-6PA) the zero point calibration can be initiated directly at the sensor. For this, remove the screw plug near the connecting plug and direct the beam of an LED flashlight into this opening for approx. 3-5 seconds.



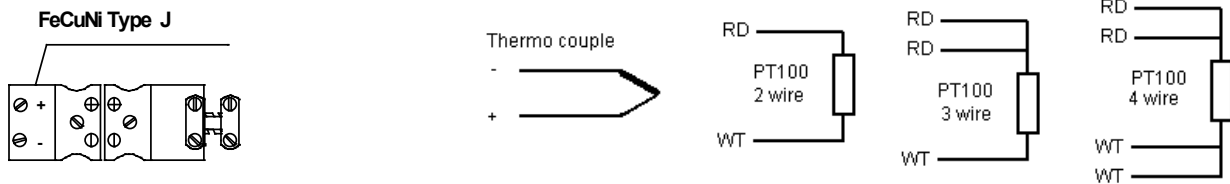
Insert the screw plug again afterwards; it simply serves for protection against contamination and extraneous light. The protection class is not impaired even without the screw plug being fitted.

The integrated amplifier will thereafter transmit the starting value of its output scale (0V at 0...10V, 0mA at 0...20mA and 4mA at 4...20mA output signal). Function is suppressed, if the output signal is more than 5% of the maximum value.

Afterwards an 80% inspection of the output signal can be performed. All corresponding lead wires need to be connected for this procedure (see wiring diagram). The pressure sensor will now supply a signal which is according to 80% of the measuring value.

With regard to the combined pressure/temperature transducers (series DTA), furthermore, the respective temperature element has to be connected according to the connections indicated on next page.

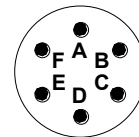
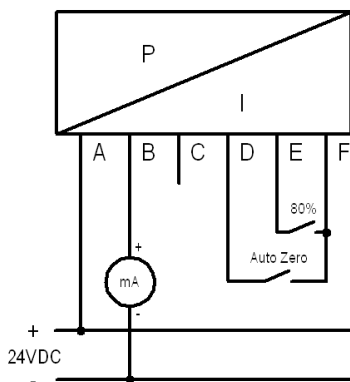
Electrical wiring temperature element



Electrical wiring configuration **2-Wire sensor**

Connector type: **PT02A-10-6P.**

4...20mA



Pin	Function	Colour coding
A	Supply / Signal +	yellow
B	Supply / Signal -	white
C	free	brown
D	Auto Zero	green
E	80%	pink
F	Auto Zero / 80%	grey

Pin D and Pin F are utilised for the activation of the Auto-Zero function. The Zero-point is hereby merely shifted. The signal amplification is not affected, as it is shifted linear to the zero point.

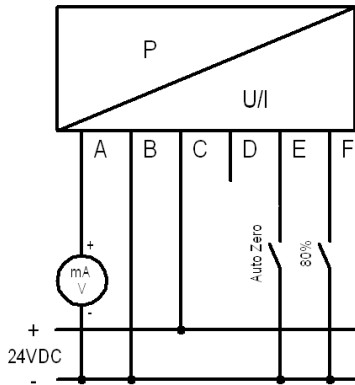
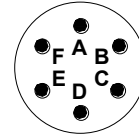
In order to generate the 80% signal, pins E and F must be connected.

Electrical wiring configuration 3-Wire Sensor

Connector type **PT02A-10-6P**.

0...10V

0/4...20mA



Pin	Function	Colour coding
A	Signal +	yellow
B	Supply /Signal/Auto Zero -	white
C	Supply +	brown
D	free	green
E	Auto Zero	pink
F	80%	grey

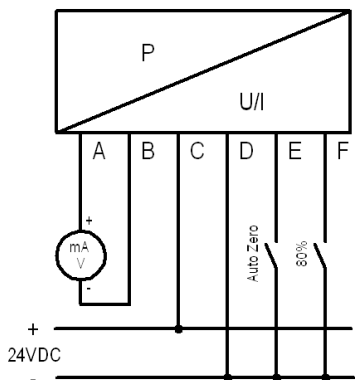
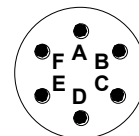
In order for the Auto-Zero function to be activated, pins E and B have to be connected with each other. Only the Zero-point is shifted. The signal amplification remains untouched, as it shifts linear to the zero-point. In order to generate the 80% signal, pins F and B must be connected.

Electrical wiring configuration 4-Wire Sensor

Connector type **PT02A-10-6P**.

0...10V

0/4...20mA



Pin	Function	Colour coding
A	Signal +	yellow
B	Signal/Auto Zero - *	white
C	Supply +	brown
D	Supply / Auto Zero - *	green
E	Auto Zero	pink
F	80%	grey

* Pins B and D are connected internally

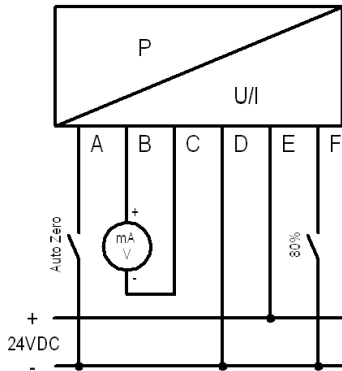
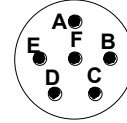
In order to activate the Auto-Zero function, pins A, C and D must be connected. Only the Zero point is shifted. The signal amplification remains in place, as it shifts linear to the zero point. In order to generate the 80% signal, pins F, C and D must be connected.

Electrical wiring configuration **4-Wire Sensor Version 98**

Connector type **PT02A-98-P**.

0...10V

0/4...20mA



Pin	Function	Coulour coding
A	Auto Zero	pink
B	Signal +	yellow
C	Signal/Auto Zero - *	white
D	Speisung/Auto Zero - *	green
E	Speisung +	brown
F	80%	grey

* Pins C and D are connected internally

In order to activate the Auto-Zero function, pins A, C and D have to be connected. This leads to a shifting of the zero point. The signal amplification remains in place, as it shifts linear to the zero point.

The 80% signal is generated by connecting pins F, C and D

9. Technical Data:

Pressure range: See order specification
 Supply: 19...32 VDC
 Output signal: 0...10 V; 0...20 mA; 4...20 mA (see order specification)
 Temperature element: Type J; K; L, PT 100 (see order specification)
 Calibration point: 80 % of measuring range
 Accuracy: 0,50 % FSO respectively 0,25 % FSO (see order specification)
 Maximum over load: 150% of measuring range

Zero deviation with
 Temperature Variations
 at the membrane: 0,3 bar / 10K

Zero deviation with
 Temperature Variations
 at the measuring head: 0,2 % FSO / 10K

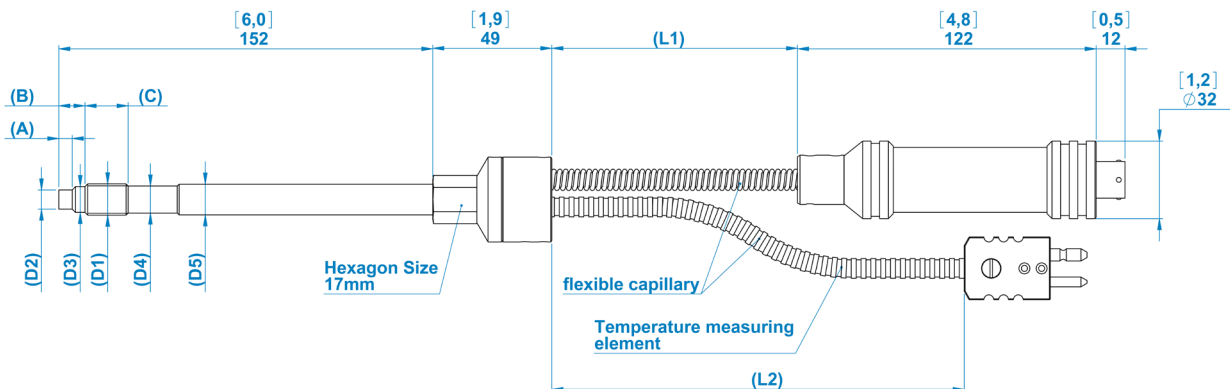
Maximum temperature at
 the membrane: 300°C with NTX-filling (W)
 400°C with Hg-filling (M)
 500°C with NaK-filling (N)

Maximum Temperature at
 The measuring head: 85 °C

EMC: Electromagnetic disturbances and electromagnetic susceptibility
 according to EN 61326

Degree of protection: IP 55

10. Dimensions



For available variations see order specification

Order specification DTAI series
Pressure Transducer with V or mA output and
temperature measurement

Order specification	DTAI																																							
Standard configuration																																								
		DTAI																																						
Total measurement error FSO																																								
0,15%		*1 0																																						
0,25%		*1 1																																						
0,50%		2																																						
Output signal																																								
4-20 mA (2-wire)		E 2																																						
4-20 mA (3-wire)		E 3																																						
4-20 mA (4-wire)		E 4																																						
0-20 mA (3-wire)		D 3																																						
0-20 mA (4-wire)		D 4																																						
0-10 V (3-wire)		C 3																																						
0-10 V (4-wire)		C 4																																						
Thermocouple																																								
Thermocouple type J		T H J																																						
Thermocouple type L		T H L																																						
Thermocouple type K		T H K																																						
Meas. resistance PT-100 (2-wire)		P T 2																																						
Meas. resistance PT-100 (3-wire)		P T 3																																						
Meas. resistance PT-100 (4-wire)		P T 4																																						
Thread connection																																								
1/2" UNF 2A		1 2 A																																						
M18 x 1,5 A		1 8 A																																						
M18 x 1,5 B		1 8 B																																						
Pressure range [bar]																																								
17		B 1 7 E																																						
36		B 3 6 E																																						
60		B 6 0 E																																						
100		B 1 0 Z																																						
200		B 2 0 Z																																						
350		B 3 5 Z																																						
400		B 4 0 Z																																						
600		B 6 0 Z																																						
800		B 8 0 Z																																						
700		B 7 0 Z																																						
800		B 8 0 Z																																						
1000		B 1 0 H																																						
1400		B 1 4 H																																						
2000		B 2 0 H																																						
Shaft length (rigid)																																								
152 mm, 6" (standard)		S 0																																						
203 mm, 8,0"		S 1																																						
254 mm, 10,0"		S 2																																						
318 mm, 12,5"		S 3																																						
356 mm, 14,0"		S 4																																						
457 mm, 18,0"		S 5																																						
76 mm, 3,0"		S 8																																						
Special shaft length		S 9																																						
Length of flexible pressure capillary																																								
457 mm, 18" (standard)		F 6																																						
610 mm, 24"		F 6																																						
760 mm, 30"		F 8																																						
Special length		F 9																																						
Diaphragm																																								
Stainless steel *2		R																																						
Alloy C4 *2		H																																						
Alloy 718 *2		I																																						
Stainless steel/GX-Coating		B																																						
Alloy C4/GX-Coating		C																																						
Alloy 718/GX-Coating		D																																						
Special diaphragm		S																																						
Sensor medium																																								
Mercury-free		W																																						
Mercury-free high temperature *5		N																																						
Mercury		M																																						
Electrical connection																																								
8-pole connection (standard) *6		8 P																																						
8-pole connection		8 P																																						
6-pole connection (type 98) *6		9 8																																						
optical Auto-Zero activation		A																																						
Cable exit stainless steel, 3m		3 3																																						
Special design																																								
No special design		0 0 0																																						
Special design		x x x																																						

- *1 Only available ≥ 100 bar
- *2 As a standard, all diaphragms are coated with Gneuss unique "G-coating" against adhesive and glutinous media. Special coatings are available on request.
- *3 For cable exit, please confirm cable length. Unless specified, the standard length will be 3 m.
- *5 Mercury-free High Temperature ≥ 300° (only available for 0-100 bar up to 0-800bar)
- *6 available with optical auto-zero

Архангельск (8182)63-90-72
Астана (7172)727-132
Астрахань (8512)99-46-04
Барнаул (3852)73-04-60
Белгород (4722)40-23-64
Брянск (4832)59-03-52
Владивосток (423)249-28-31
Волгоград (844)278-03-48
Вологда (8172)26-41-59
Воронеж (473)204-51-73
Екатеринбург (343)384-55-89
Иваново (4932)77-34-06

Ижевск (3412)26-03-58
Иркутск (395)279-98-46
Казань (843)206-01-48
Калининград (4012)72-03-81
Калуга (4842)92-23-67
Кемерово (3842)65-04-62
Киров (8332)68-02-04
Краснодар (861)203-40-90
Красноярск (391)204-63-61
Курск (4712)77-13-04
Липецк (4742)52-20-81

Киргизия (996)312-96-26-47

Магнитогорск (3519)55-03-13
Москва (495)268-04-70
Мурманск (8152)59-64-93
Набережные Челны (8552)20-53-41
Нижний Новгород (831)429-08-12
Новокузнецк (3843)20-46-81
Новосибирск (383)227-86-73
Омск (3812)21-46-40
Орел (4862)44-53-42
Оренбург (3532)37-68-04
Пенза (8412)22-31-16

Россия (495)268-04-70

Пермь (342)205-81-47
Ростов-на-Дону (863)308-18-15
Рязань (4912)46-61-64
Самара (846)206-03-16
Санкт-Петербург (812)309-46-40
Саратов (845)249-38-78
Севастополь (8692)22-31-93
Симферополь (3652)67-13-56
Смоленск (4812)29-41-54
Сочи (862)225-72-31
Ставрополь (8652)20-65-13

Казахстан (772)734-952-31

Сургут (3462)77-98-35
Тверь (4822)63-31-35
Томск (3822)98-41-53
Тула (4872)74-02-29
Тюмень (3452)66-21-18
Ульяновск (8422)24-23-59
Уфа (347)229-48-12
Хабаровск (4212)92-98-04
Челябинск (351)202-03-61
Череповец (8202)49-02-64
Ярославль (4852)69-52-93

www.gneuss.nt-rt.ru || gsk@nt-rt.ru